

L2-ENCFAN2

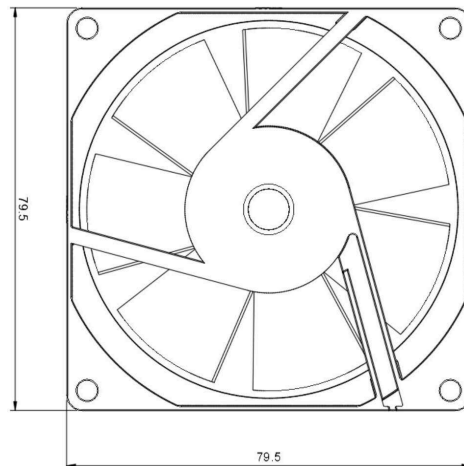
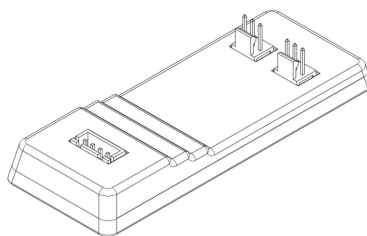
PRELIMINARY SPEC

Enclosure Fan Controller w/2 80mm Fans

Two 80mm ultra-quiet fans and an electronic speed controller reduce the fan speed to nearly silent (<21 dB) as needed to keep the L2-ENC enclosure at optimum operating temperature. The lockable door uses free ventilation (fans off) when the modules are under low load. The fan controller magnetically attaches to the door face and is powered by an Accessory Power Regulator (L2-APR). Temperature and Humidity sensor data is available over the PDM data bus and may be monitored and used in control rules to further protect the lifespan of the modules in the enclosure. The L2-ENCFAN2 is required to meet the UL Certification requirements.

CIRCULATION FANS

- Noise Level 26 dB
- Voltage 12VDC
- Power 1W (x2) at full speed
- Speed Variable 0-2500 RPM
- Air Volume 32 CFM (x2)
- Minimum ON Temperature 79 F (26 C)
- Full Speed Temperature 104 F (40 C)
- Dimensions 80*80*25mm
- Connector 3-pin w/Tachometer



FAN CONTROLLER

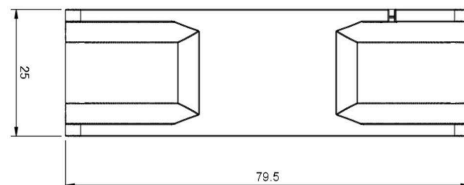
- Connectors 4-pin, Fan Power, Control
(2) 3-pin Fan Connectors
- Sensors Fan speed, Temperature, RH%
- Protocol RS485 LibRE L2 Protocol
- Management Speed 38,400 bps

REQUIRED ACCESSORIES

- 12V Accessory Power Module L2-APR-6, L2-APR-12

ENVIRONMENTAL

- Operating Temperature +32°F to +122°F (0°C to +50°C)
- Operating Humidity 5% to 95% Non-condensing
- Safety Certifications FCC, CE
- Rating Dry Rated



WARRANTY

- Duration 3 Years, Fans and Controller

CONTENTS

- (2) 80mm Fans
- (10) Rubber Fan mounts, 2 spares
- Fan Controller
- 1m 4c APR power cable

ORDERING INSTRUCTIONS:

PART ID	MODEL	DESCRIPTION
10010230.0	L2-ENCFAN2	Enclosure Fan Controller w/2 80mm Fans